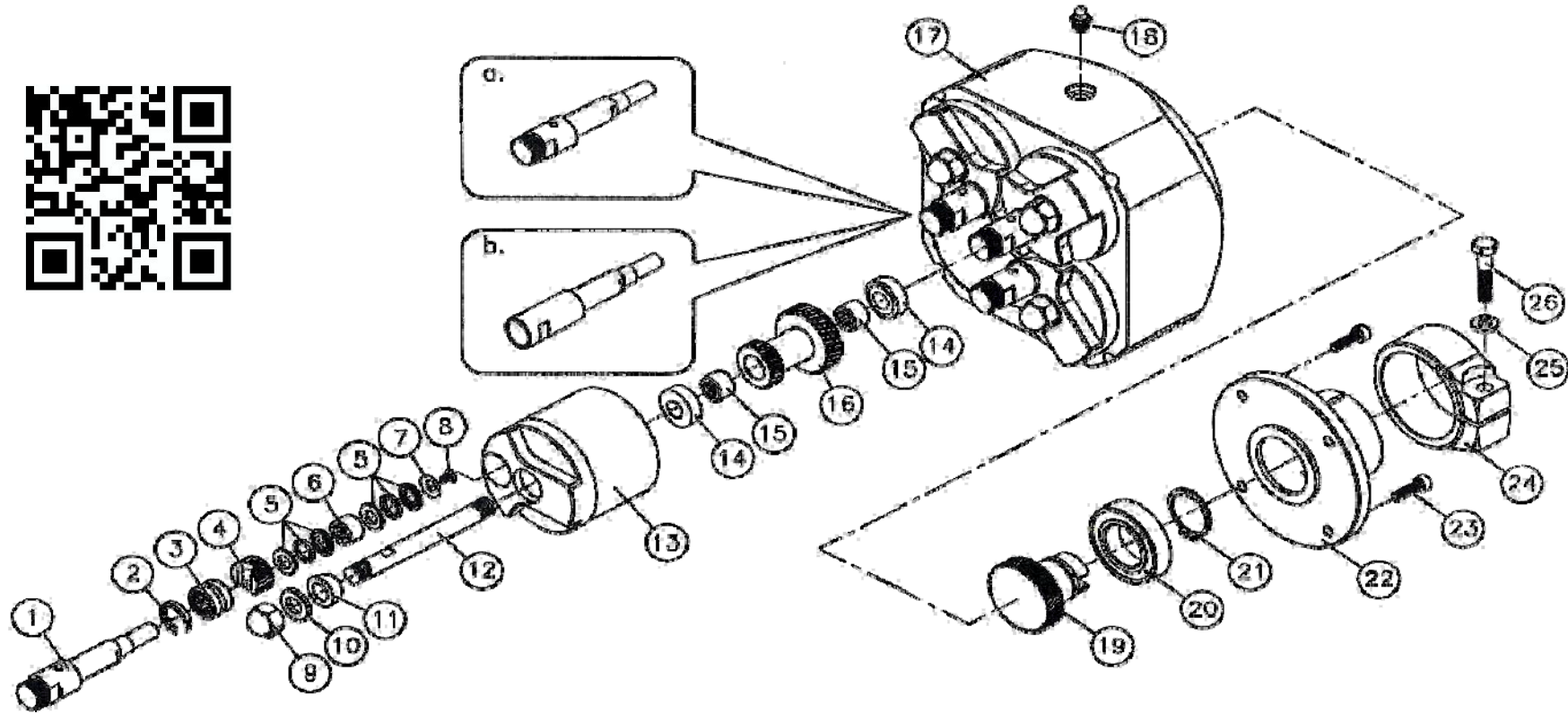


4-SPINDLE CIRCULAR BORING HEAD, MODEL: MS4C-13



ITEM	QTY	DESCRIPTION	ITEM	QTY	DESCRIPTION	ITEM	QTY	DESCRIPTION
1	4	SPINDLE	11	4	CONICAL WASHER	21	1	SNAP RING
2	4	OIL SEAL	12	4	PRECISION STUD	22	1	ADAPTER
3	4	NEEDLE BEARING	13	4	TURRET	23	4	SOCKET HEAD SCREW
4	4	GEAR	14	8	THICK BRASS SPACER	24	1	ADAPTER CLAMP
5	8	THRUST BEARING	15	8	NEEDLE BEARING	25	1	ADAPTER CLAMP LOCK WASHER
6	4	NEEDLE BEARING	16	4	GEAR SET	26	1	ADAPTER CLAMP BOLT
7	4	BELLEVILLE WASHER	17	1	HOUSING	27	4	COLLET (PLEASE SPECIFY SIZE)
8	4	SOCKET HEAD SCREW	18	1	GREASE FITTINGS	28	4	COLLET NUT
9	4	NUT	19	1	DRIVE SPINDLE			27 & 28 NOT SHOWN IN THE EXPLODED VIEW
10	4	SPACER	20	1	BALL BEARING			