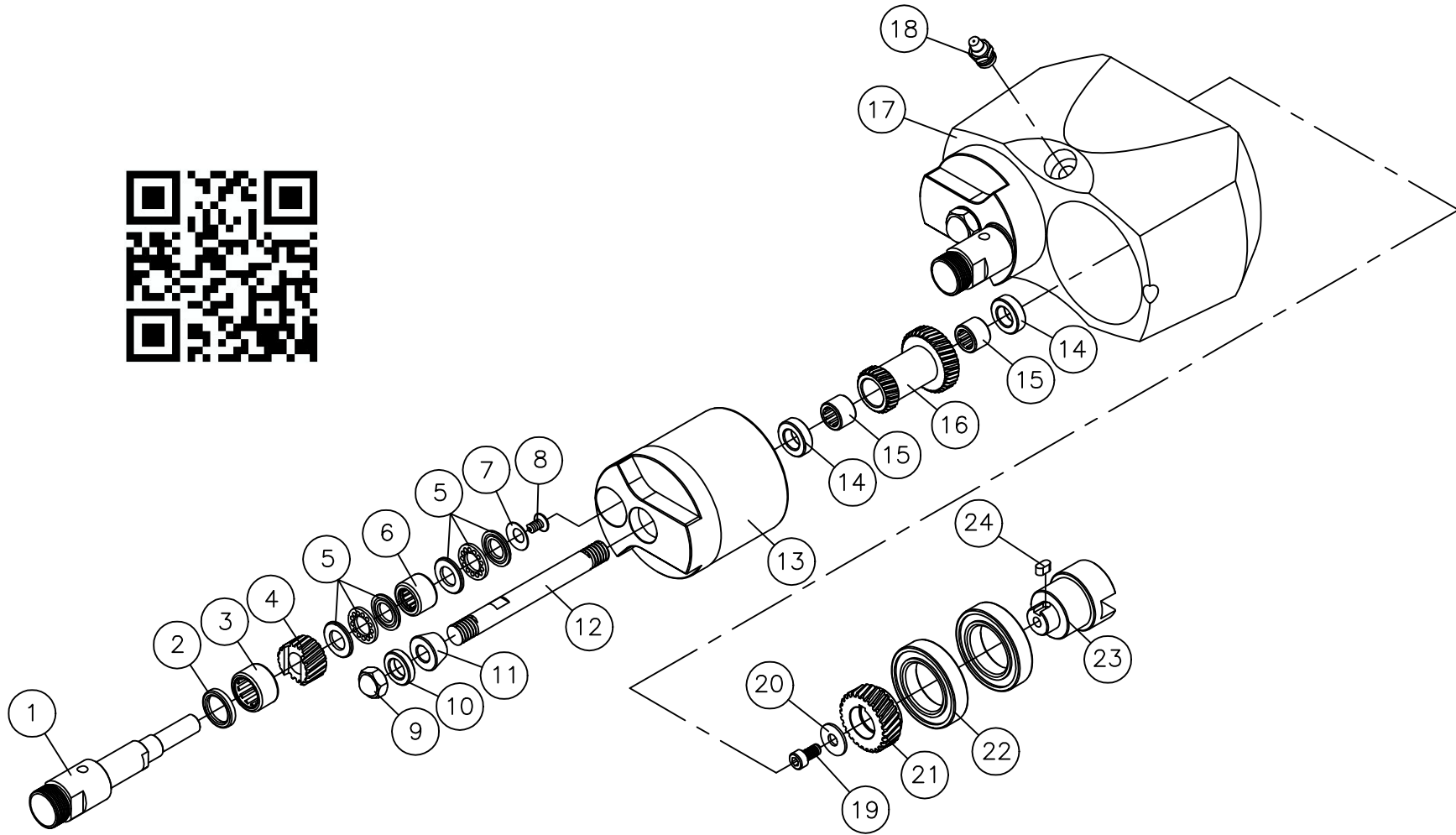


TWO SPINDLE ADJUSTABLE DRILLING HEAD, MODEL MS2-10



ITEM	QTY	DESCRIPTION	ITEM	QTY	DESCRIPTION	ITEM	QTY	DESCRIPTION
1	2	SPINDLE	11	2	CONICAL WASHER	21	1	DRIVE GEAR
2	2	OIL SEAL	12	2	PRECISION STUD	22	2	DRIVE SPINDLE BEARING
3	2	NEEDLE BEARING	13	2	TURRET	23	1	DRIVE SPINDLE
4	2	GEAR	14	4	THICK BRASS SPACER	24	1	KEY
5	4	THRUST BEARING	15	4	NEEDLE BEARING	25		
6	2	NEEDLE BEARING	16	2	GEAR SET	26		
7	2	BELLEVILLE WASHER	17	1	HOUSING	27		
8	2	SOCKET HEAD SCREW	18	1	GREASE FITTING	28		
9	2	ACORN NUT	19	1	SOCKET HEAD SCREW	29		
10	2	SPACER	20	1	SPACER	30		